



Module Overview

I/O Modules

Parameter Typ	Copper	MCU Interface			Based on	MDI-X PHY	max. Sockets	Pitch [mm]	Temp. Range	Dimensions [mm]
		SPI	8 Bit	16Bit/DMA						
NM7010B+	10/100M	✓	✓		W3150A+	✓	4	2,00	-40°...85°C	52x25x21
WIZ810MJ	10/100M	✓	✓		W5100	✓	4	2,00	-40°...85°C	52x25x21
WIZ812MJ	10/100M	✓	✓		W5100	✓	4	2,54	-40°...85°C	56x25x24
WIZ820io	10/100M	✓			W5200	✓	8	2,54	-40°...85°C	23x25x18
WIZ550io	10/100M	✓			W5500		8	2,54	-40°...85°C	54x25x24
WIZ830MJ	10/100M		✓	✓	W5300	✓	8	2,54	-40°...85°C	54x34x20

Serial-to-Ethernet Gateway Modules

Parameter Typ	Copper	Interface				RJ45	DB9	Based on	Pitch [mm]	Temp. Range	Dimensions [mm]
		TTL	RS232	RS422	RS485						
WIZ100SR	10/100M	✓					W5100	2,00	0°...80°C	50x30x12	
WIZ107SR	10/100M	✓	✓			✓	W7100A	2,54	-40°...85°C	45x30x18	
WIZ108SR	10/100M			✓	✓	✓	W7100A	2,54	-40°...85°C	48x30x18	
WIZ550S2E	10/100M	✓				✓	W5500	2,54	-40°...85°C	55x30x23	
WIZ110SR	10/100M		✓			✓	W5100		0°...80°C	75x50x17	
WIZ120SR	10/100M	2					W5100	2,00	0°...70°C	50x30x10	
W7100A-S2E	10/100M	✓					W7100A		-40°...85°C	LQFP / QFN	
WIZ1000	10/100M		✓			✓	W5100		0°...80°C	91x92x23	

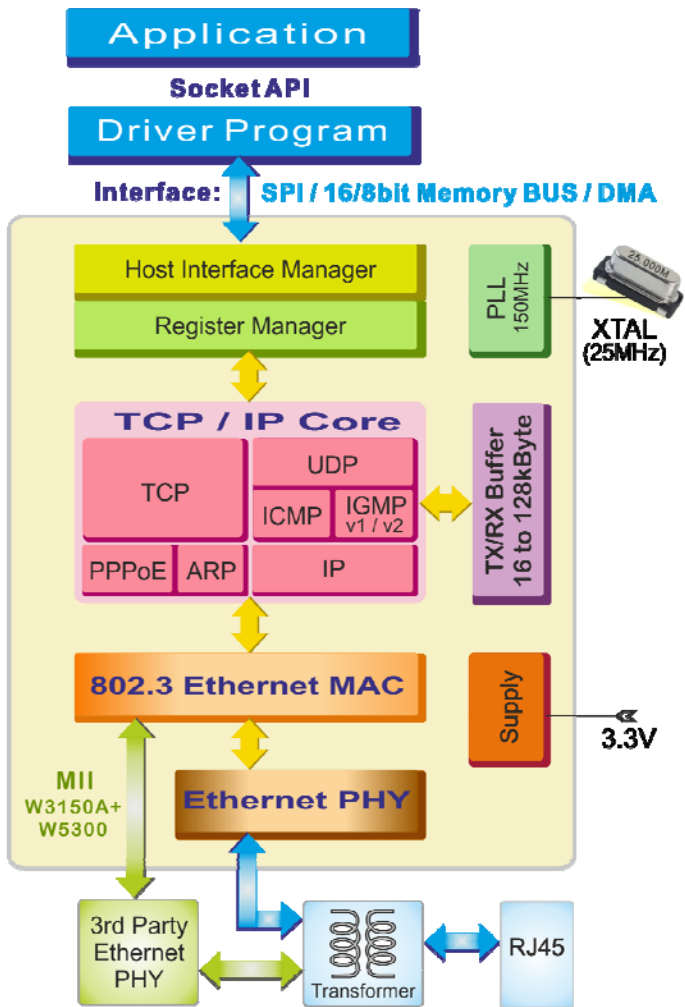
Application Modules

Parameter Typ	Copper	MCU Interface			Based on	RJ45	max. Sockets	Pitch [mm]	Temp. Range	Dimensions [mm]
		TTL	RS232	GPIO						
WIZ550Web	10/100M	✓	✓	20	W5500	✓	8	2,54	-40°...85°C	72x30x24

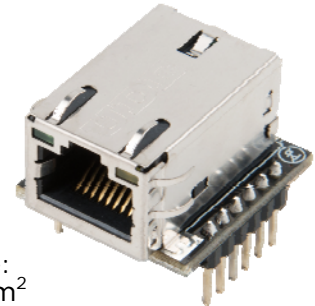
Wireless Modules

Parameter Typ	Interface						Data Rates [Mbps]	Compatible to	Temp. Range	Dimensions [mm]
	UART	SPI	I ² C	GPIOs	USB	Ethernet				
WizFi250	✓	✓		✓			54 to 1	IEEE802.11b/g/n	-20°...85°C	28x20x2
WizFi630A	2		✓	✓	✓		150 to 1	IEEE802.11b/g/n	0°...50°C	33x43x6

Block Diagram Hardwired TCP/IP



WIZ820io Module



- Board size: 23 x 25mm²
- Interface Connector: two 6 pin headers 2.54mm pitch

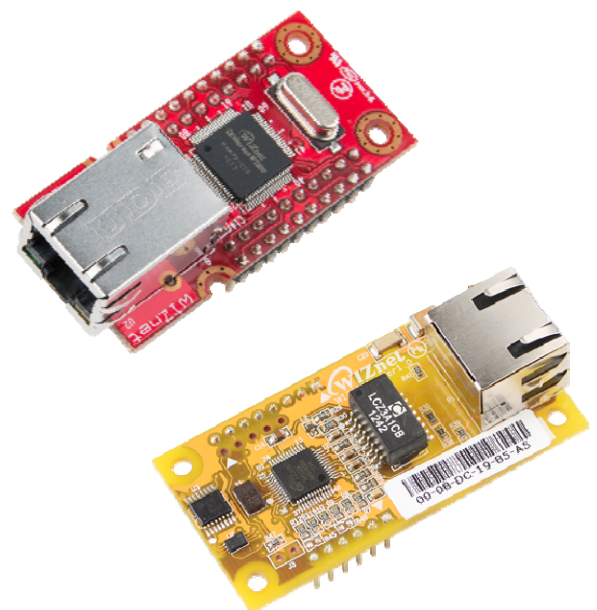
Applications

- Home Network & Set-Top Boxes
- Serial-to-Ethernet - Gateways
- Smart Metering
- GPIO-to-Ethernet - Sensor Network
- Security Systems & Cameras
- Factory and Building Automation
- Medical Monitoring Equipment
- Embedded Server

WizFi250/WizFi630A



WIZ812MJ/WIZ550io



WIZ100SR

