



NO:RD-Pulse H5004  
DATA:2005/09/12 I (REV:A2)

# 1000 BASE-T MAGNETICS MODULES

## MODEL NO.: IH-001

### FEATURE:

RoHS Compliant

RoHS peak solder rating 260°C

Designed to meet IR requirement

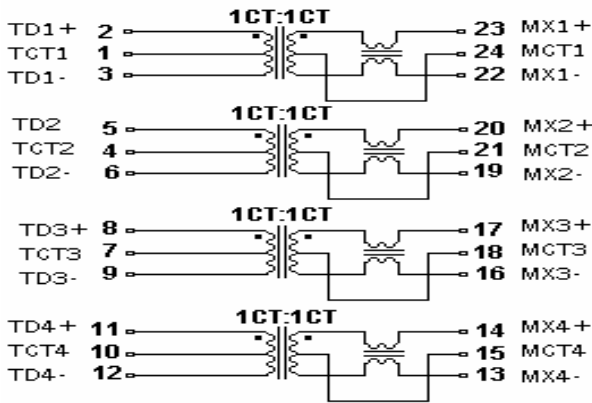
Specifications @ 25

OPERATION TEMP : -40 ~ + 85

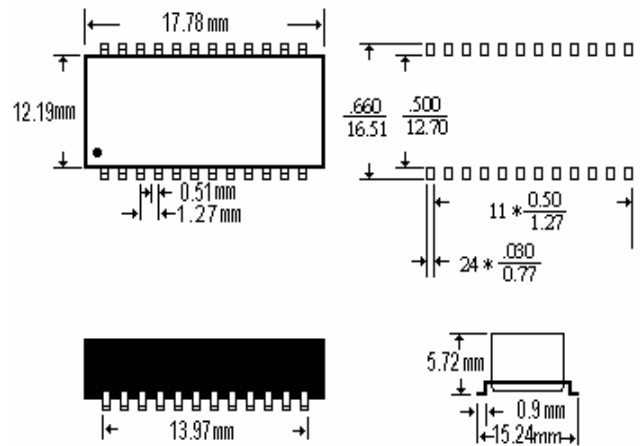
Turns Ratio 1CT:1CT (±2 % )  
OCL (uH MIN) 350 100KHZ 100mv

Part Number	Insertion Loss (dB TYP) 1-100MHz	Return loss (dB MIN @100Ω) 1~100 MHz					Common Mode Rejection (dB MIN) 1~100 MHz			Cross talk (dB MIN) 1~100 MHz			Hi pot VAC
		1-30	40	50	60-80	100	30MHz	60MHz	100MHz	30MHz	60MHz	100MHz	
IH-001	-1.0	-18	-14.4	-13.1	-12	-10	-43	-37	-33	-45	-40	-35	1500

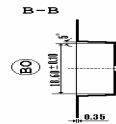
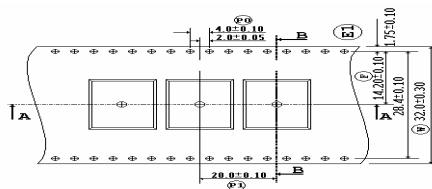
### SCHEMATICS:



### DIMENSION: mm TOLERANCE:±0.25



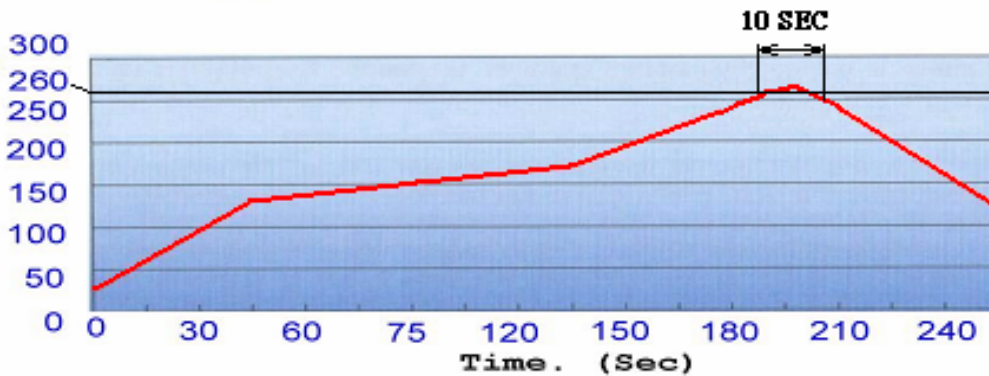
### Packing :



W: 32.0±0.30  
P1: 20.0±0.10  
AO: 16.05±0.10  
BO: 18.60±0.10  
KO: 6.22±0.10  
Tape & Reel -----500/reel  
Tube-----25/tube

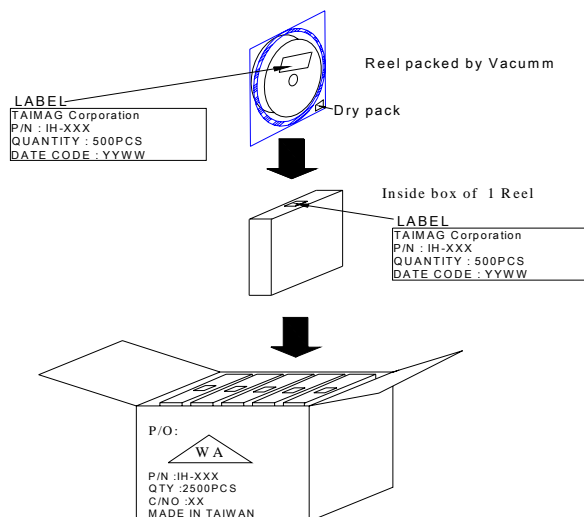


## MODEL NO: IH-001 Profile of IR Reflow (Lead Free)



## PACKING

1. Tape & Reel : 500pcs / Reel , 2500pcs / Carton
2. Dry Pack : 1pcs  
Product Description:(5g Silica Gel Desiccant)  
PH: 4-8  
Package Materials: Paper(Length 6.5±1cm , Width 5±1cm)
3. Reel Packed By Vacuum
4. Seal Per Jedec





NO:RD-Pulse H5004

DATA:2005/09/12 I (REV:A2)

---

## MODEL NO: IH-001

REV.	Revision Description	DATE
A2	版本更新 & 位置調整	2005/09/12