

## 10/100 BASE-TX Filtered SMD Connector Module

### Support Auto MDIX

### MODEL NO : RJSLC-001TC1

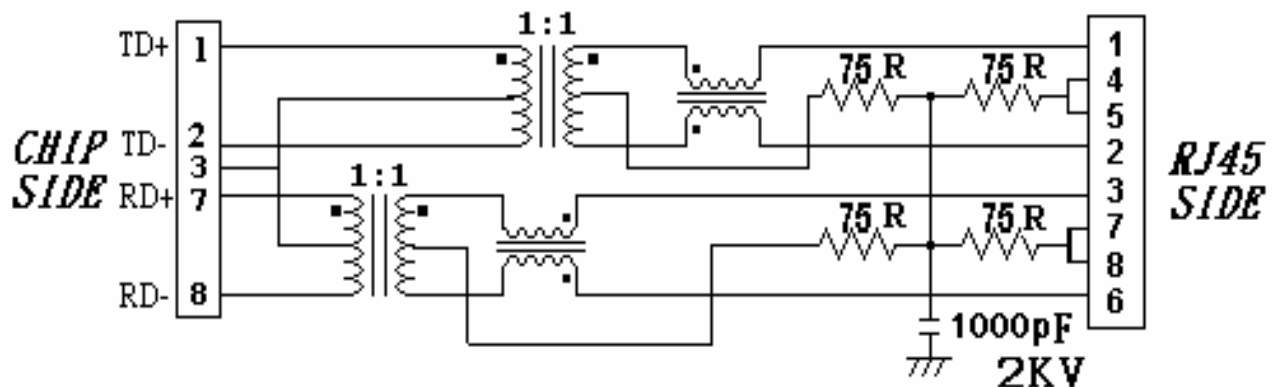
#### Features:

- ⊙ RoHS Compliant
- ⊙ Fully shielded magnetics protect data from internally generated digital noise
- ⊙ Reduces the overall length of the signal path for improved common mode performance
- ⊙ Implements full common mode termination scheme with used and unused twisted pairs
- ⊙ Meets IEEE802.3 Baseline Wander Compensation specification
- ⊙ Integrates high voltage capacitor to chassis ground
- ⊙ Supports all major transceivers with matched turns ration and complete integration of specified termination
- ⊙ Design for 100base-tx transmission over UTP-5 cable
- ⊙ Operating TEMP. range: -40°C to +85°C
- ⊙ Storage TEMP. range: -55°C to + 125°C
- ⊙ Primary OCL inductance: 350μH MIN. at 100KHz/0.1Vrms with 8mA DC bias

#### Typical Performance Characteristics@ 25°C

Insertion Loss (dB MAX)	Return Loss (dB Min @100±15Ω)				Differential to Common Mode Rejection (dB MIN)	Cross talk (dB MIN)					CMRR (dB MIN)	Isolation Voltage (Vrms min)
	MHz	MHz				MHz	MHz					
1~100	1~30	40	50	60~80	1~100	20	40	60	80	100	1~100	
-1.0	-16	-14	-12	-10	-33	-47	-40	-37	-35	-33	-30	

#### Schematic:



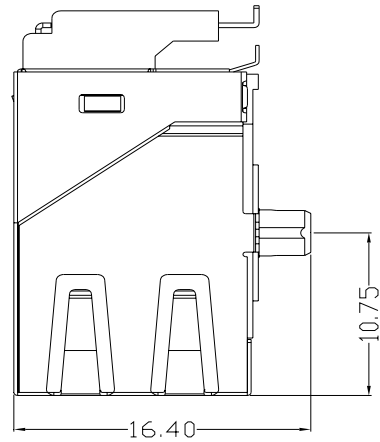
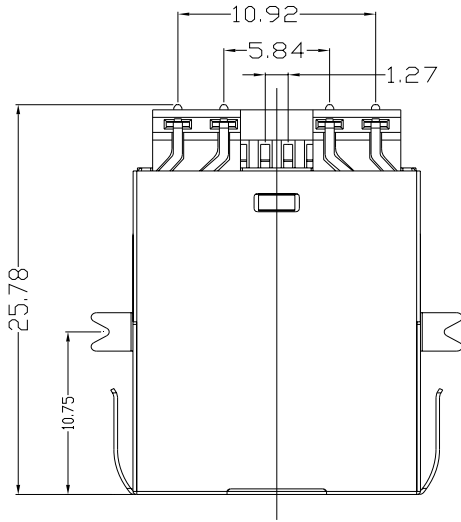


NUMBER:RD-SD-RJSLC-001TC1  
 DATE :2007/08/06 R (REV:A1)

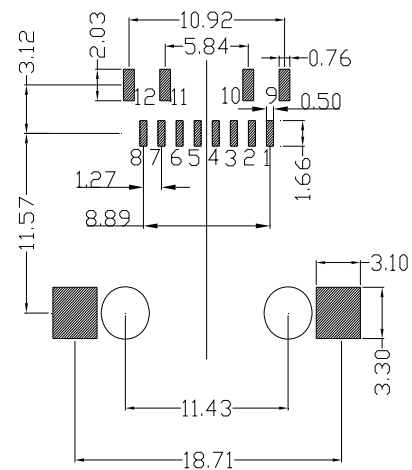
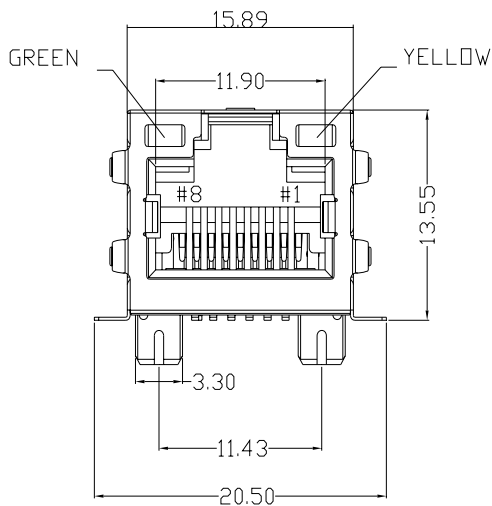
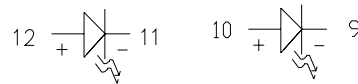
**MODEL NO : RJSLC-001TC1**

**Dimension: mm**

**TOLERANCE: ±0.15 (unless otherwise specified)**



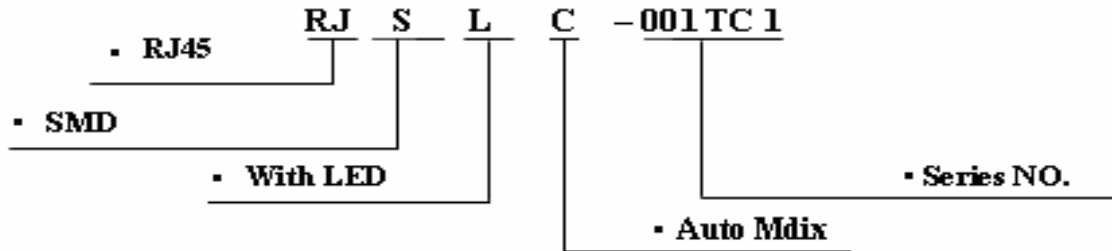
GREEN YELLOW



**RECOMMENDED P.C.B LAYOUT  
 COMPONENT SIDE OF BOARD**

MODEL NO : RJSLC-001TC1

## Ordering Information



## Requirements :

### 1. Design and Construction

Product shall be of design, construction and physical dimensions specified on applicable product drawing.

### 2. Materials and Finish

#### A. Contact:

RJ Contact : Phosphor Bronze, Thickness=0.30mm

Finish : Contact Area :6 $\mu$ "min. Gold over 50  $\mu$ "min. Nickel

RJ Joint Contact : SPCC, Thickness=0.20mm

Finish : 80 $\mu$ "min. Sn over 50  $\mu$ "min. Nickel

LED Joint Contact : SPCC, Thickness=0.20mm

Finish : 80 $\mu$ "min. Sn over 50  $\mu$ "min. Nickel

#### B. Plastic Part :

(1) Set Housing : Thermoplastic, LCP, Black

UL FILE NO. : E59481

Manufacturer : Kuraray CO.,LTD.

Grade : 4830G

Flame Class : UL 94V-0

(2) Insert : Thermoplastic, PA-9T, Black

UL FILE NO. : E59481

Manufacturer : Kuraray CO.,LTD.

Grade : 4830G

Flame Class : UL 94V-0

(3) Spacer : Thermoplastic, PA-9T, Black

UL FILE NO. : E59481

Manufacturer : Kuraray CO.,LTD.

Grade : 4830G

Flame Class : UL 94V-0



NUMBER:RD-SD-RJS LC-001TC1  
DATE :2007/08/06 R (REV:A1)

---

## **MODEL NO : RJS LC-001TC1**

### **C. Shield Material :**

**Cartridge t=0.25mm**

**10 $\mu$ "-20 $\mu$ " Thick Nickel over Brass**

### **D. LED Lamp**

**(a) Lens Color : Transparent with color**

**(b) Emitted Color : Green & Yellow**

**(c) View Angle : 60°**

**(d) Wave Length : Green 570nm ; Yellow 585nm**

**(e) Recommended operation current (IF) : 20 mA**

## **3. Ratings**

**(1) Voltage rating : 125 VAC**

**(2) Current rating : 1.5A**

## **Durability :**

**(1) 1000 cycles with no function damage for RJ-45 . Abnormalities shall be present after the test.**

**(2) Low Level Contact Resistance :  $\Delta R=30m\Omega$  maximum (final)**

**(3) The sample should be mounted in the tester and fully mated and unmated 500 times per hour at the rate of 25mm/min. EIA-364-09C.**



NUMBER:RD-SD-RJSLC-001TC1  
DATE :2007/08/06 R (REV:A1)

## MODEL NO : RJSLC-001TC1

### PACKING :

- 1.Unit weight : 4.5 grams
- 2.Tape & Reel : 150pcs / Reel , 750pcs / Carton
- 3.Dry Pack : 1pcs

Product Description:(5g Silica Gel Desiccant)

PH: 4-8

Package Materials: Paper(Length 6.5±1cm , Width 5±1cm)

4.Reel Packed By Vacuum

5.Seal Per Jedec

