

## MODEL NO. : RJSL-001NA1

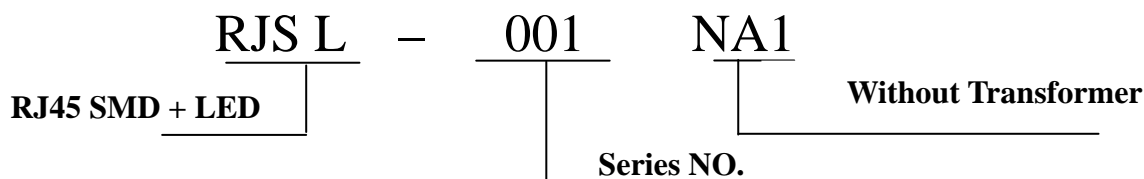
### Features:

- ⊙ RoHS Compliant
- ⊙ Meets IEEE802.3 Baseline Wander Compensation specification
- ⊙ Dielectric Voltage : 1000 V RMS 60Hz 1minute
- ⊙ Insulation Resistance : 30 milliohms max. initial
- ⊙ Design for 100BASE-TX Transmission over UTP-5 cable.
- ⊙ Operating Temp Range : -40°C To +85°C

### Materials:

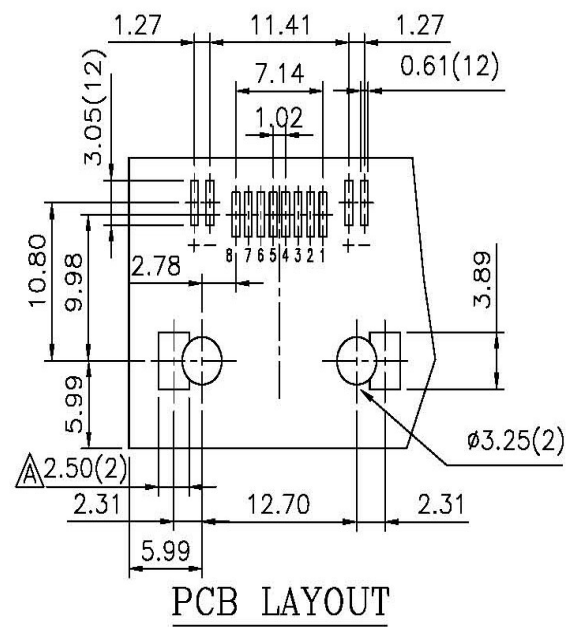
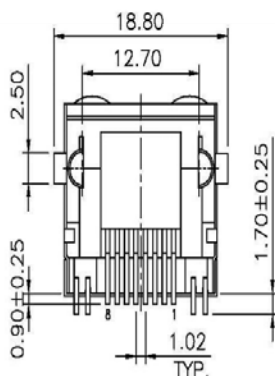
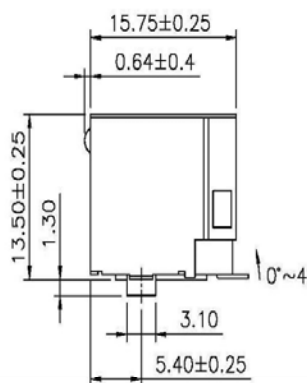
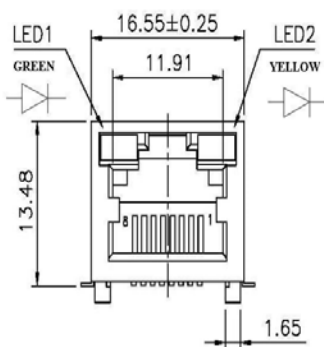
- ⊙ Plastic Housing : NYLON-46, Black UL 94V-0
- ⊙ Contacts: Selective Gold plating
- ⊙ Plating ( 6 μ" ): Gold Plating Over Nickel in Contact, Tin Plating Over Nickel in Solder Area.
- ⊙ Shield: 0.25 mm Thickness

### Ordering Information



### Dimension: mm

TOLERANCE:±0.15



## MODEL NO. : RJSL-001NA1

Solder Reflow profile for Lead-Free packages.

### Package Peak Reflow Temperatures

Classification Reflow Profiles

| Profile Feature  | Lead-Free Assembly           |                                |
|--|------------------------------|--------------------------------|
| Average ramp-up rate( $T_L$ to $T_P$ )                               | 3°C / Second Max.            |                                |
| Preheat  |                              |                                |
| Temperature Min.( $T_s$ min.)  | 150 °C                       |                                |
| Temperature Max.( $T_s$ max.)  | 200 °C                       |                                |
| Time (min to max) ( $t_s$ )  | 60-180 sec                   |                                |
| $T_s$ max. to $T_L$<br>Ramp-up Rate                                  | 3°C / Second Max.            |                                |
| Time maintained above<br>Temperature ( $T_L$ )<br>Time ( $t_L$ )     | 217 °C<br>60-150 sec         |                                |
| Peak Tempature ( $T_p$ )<br>Time within 5 °C of actual peak<br>Temp. | 260 +0 / -5 °C<br>3 to 5 Sec | 250 +0 / -5 °C<br>20 to 40 Sec |
| Ramp-down  | 6°C / Second Max.            |                                |
| Time 25 °C to Peak Temperature                                       | 8 minutes Max.               |                                |

### Profile

