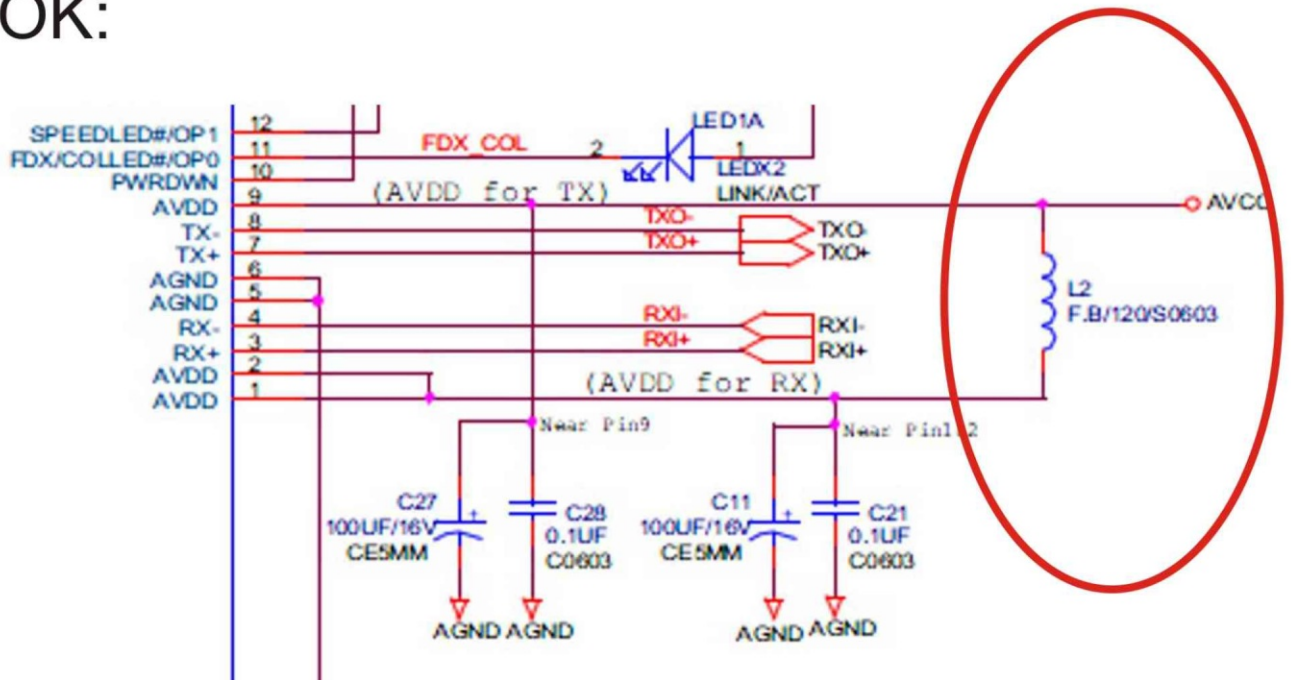
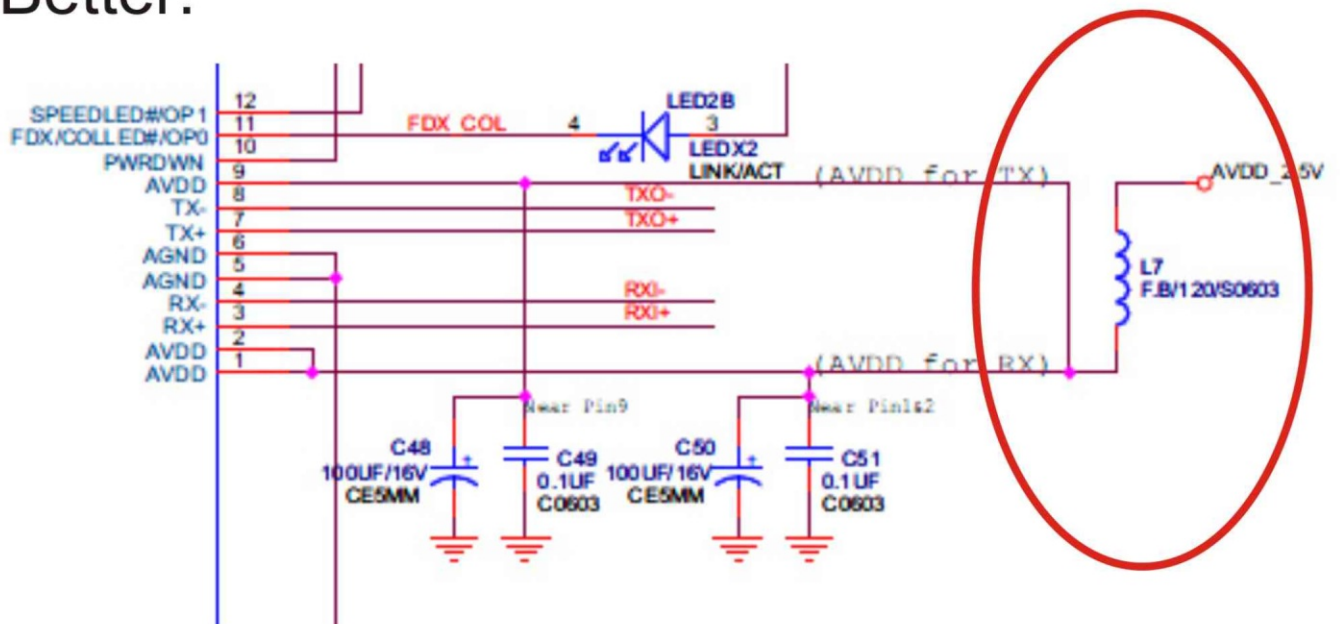


# Connection of RJ45 / Center Tabs to PHY

OK:



Better:



In this configuration the high frequency components can be filtered by the bead. The top circuit cannot filter them, because Pin 9 provides a low impedance for them to pass through.